

SPECIFICATIONS:

Rating: 16(8)A 125/250VAC
25A 12V DC

Function: ON - OFF - ON DPDT
Pos 1 Pos 2 Pos 3

Contact Resistance: 20mΩ max. (initial)
Insulation Resistance: 100mΩ min. (at 500V DC)
Dielectric Strength: 1,500V AC 50/60 Hz for 1 minute
Operating Temp.: - 40 ° C To 85 ° C
Service Life: Mechanically: 100,000 operations min.
Electrically: 30,000 operations min.

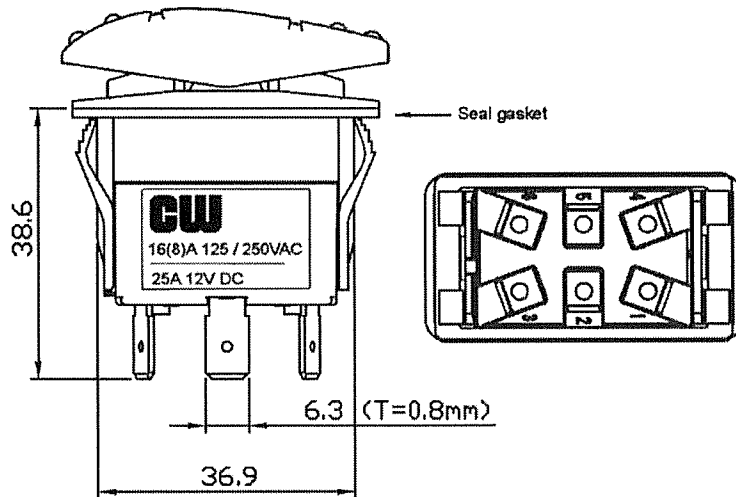
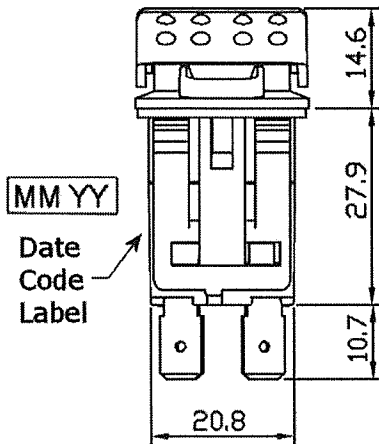
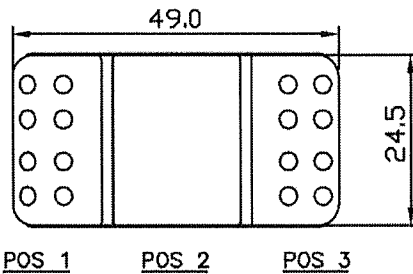
Water Proof: IP 67

Base Color- Gray

Actuator Color- Black

Insulation Materials: 94V-2 Thermoplastic

Contact Materials: Copper Alloy



RoHS Compliant

X5 - 234ANN - NABB - 1NNW

CW INDUSTRIES
Southampton, Pa. 18966
Tel 215.355.7080/www.cwind.com

Date Drawn: 3-19-12

Rev. 2

Unit: mm

Checked By: *G. GOLD*

2 Redrawn. Added function & panel charts & IP 67 was IP 68. DW 4/03/2018.

Title:
ROCKER SWITCH

CW P/N:
GRB234A2NABA1